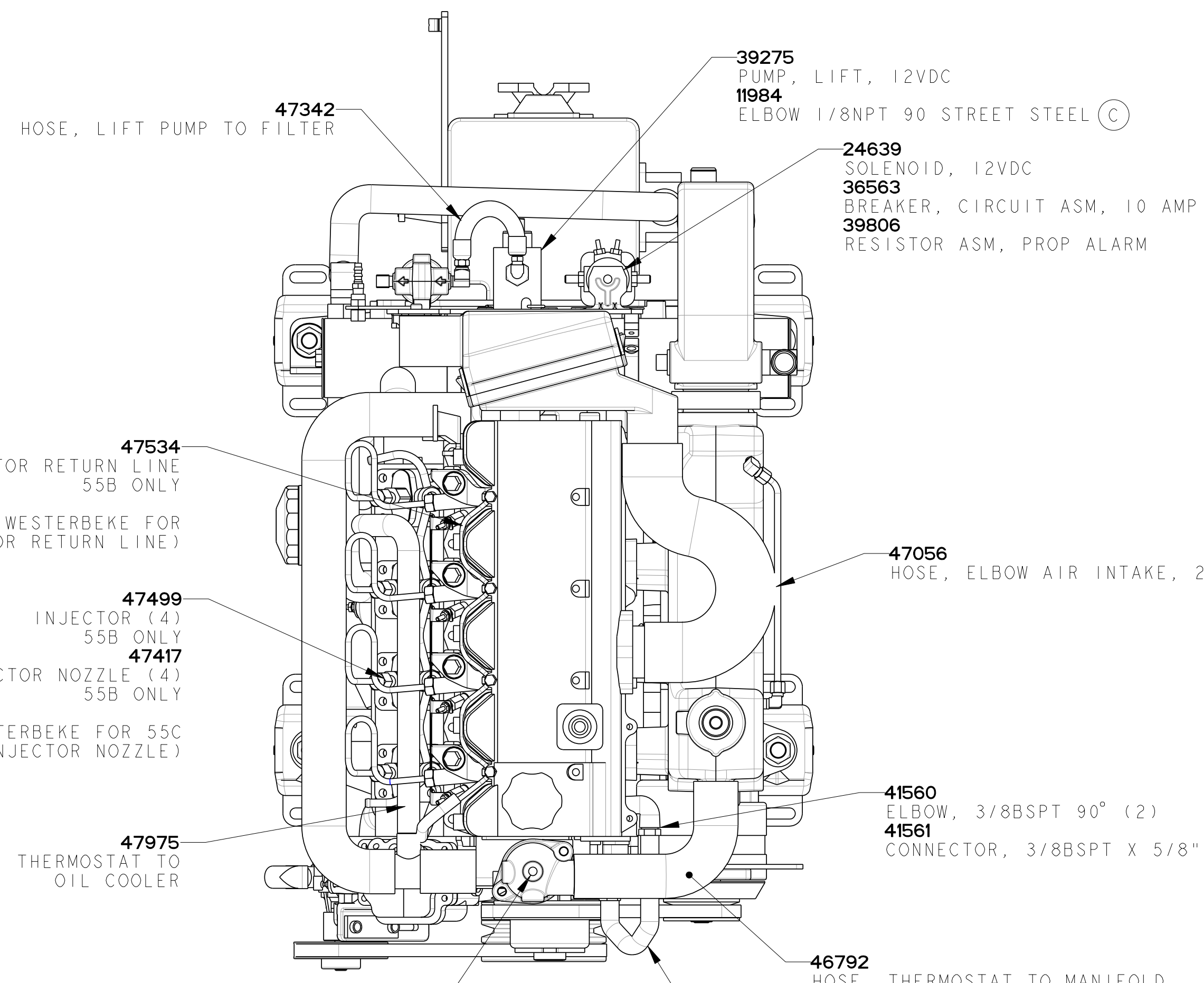


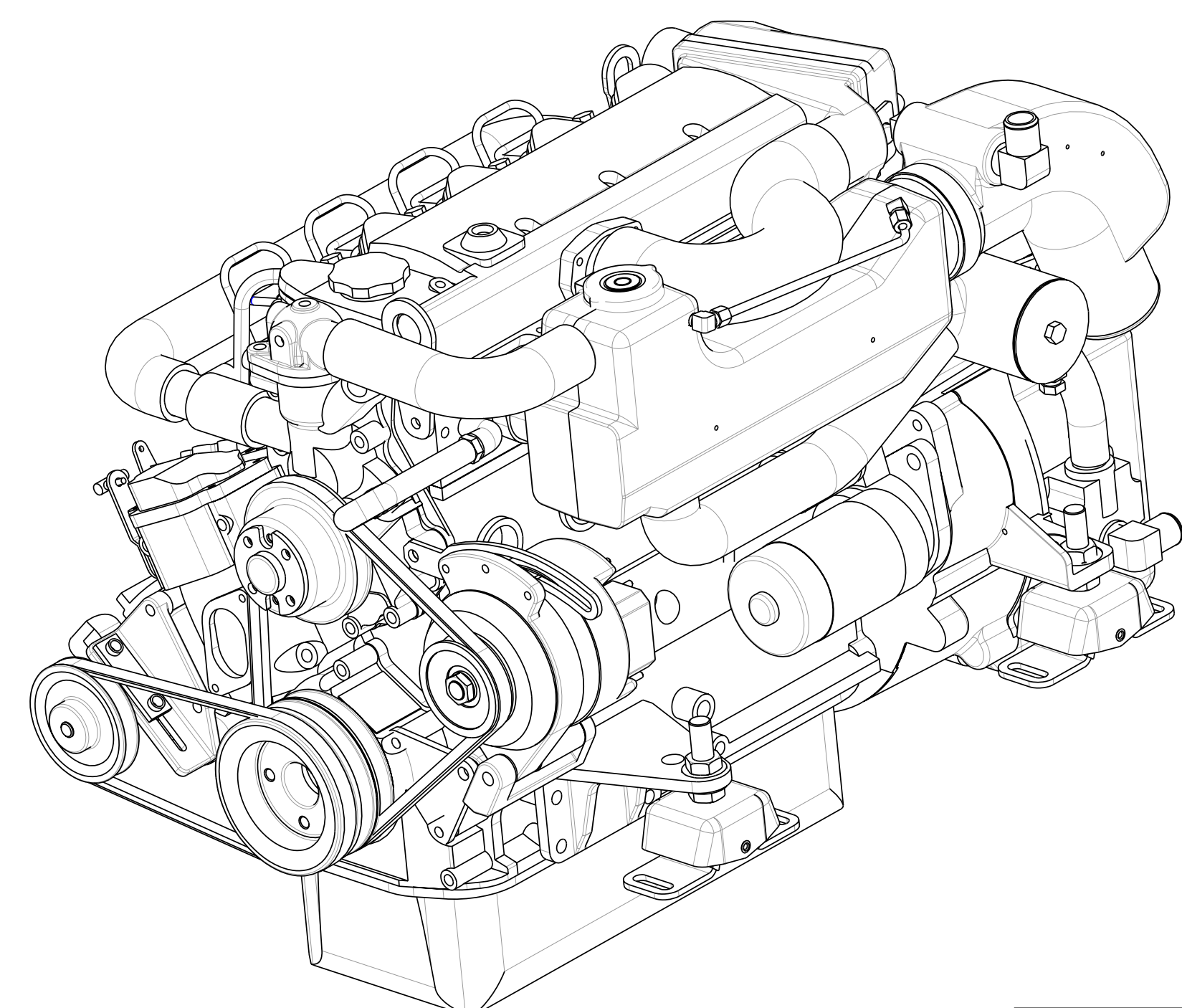
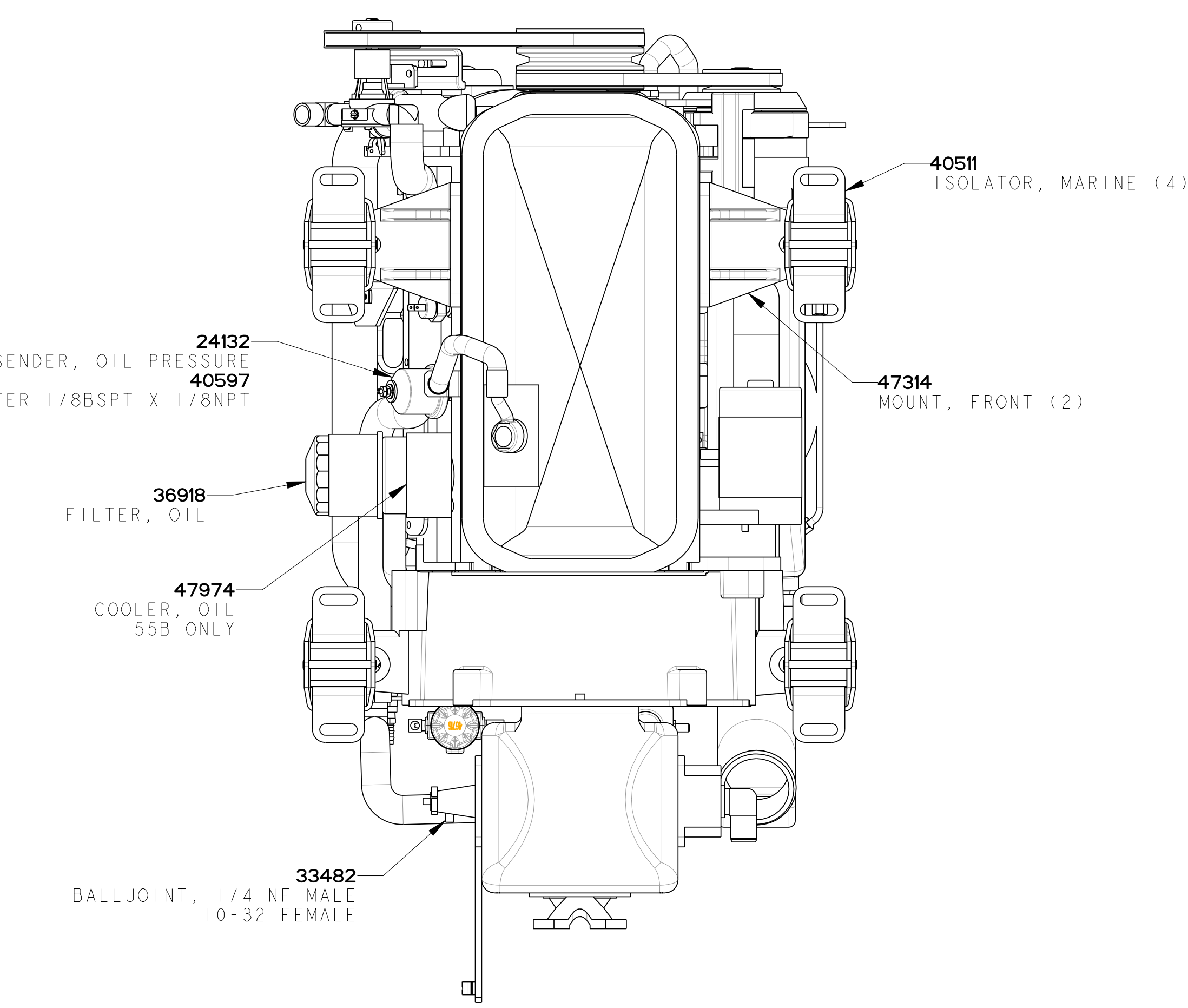
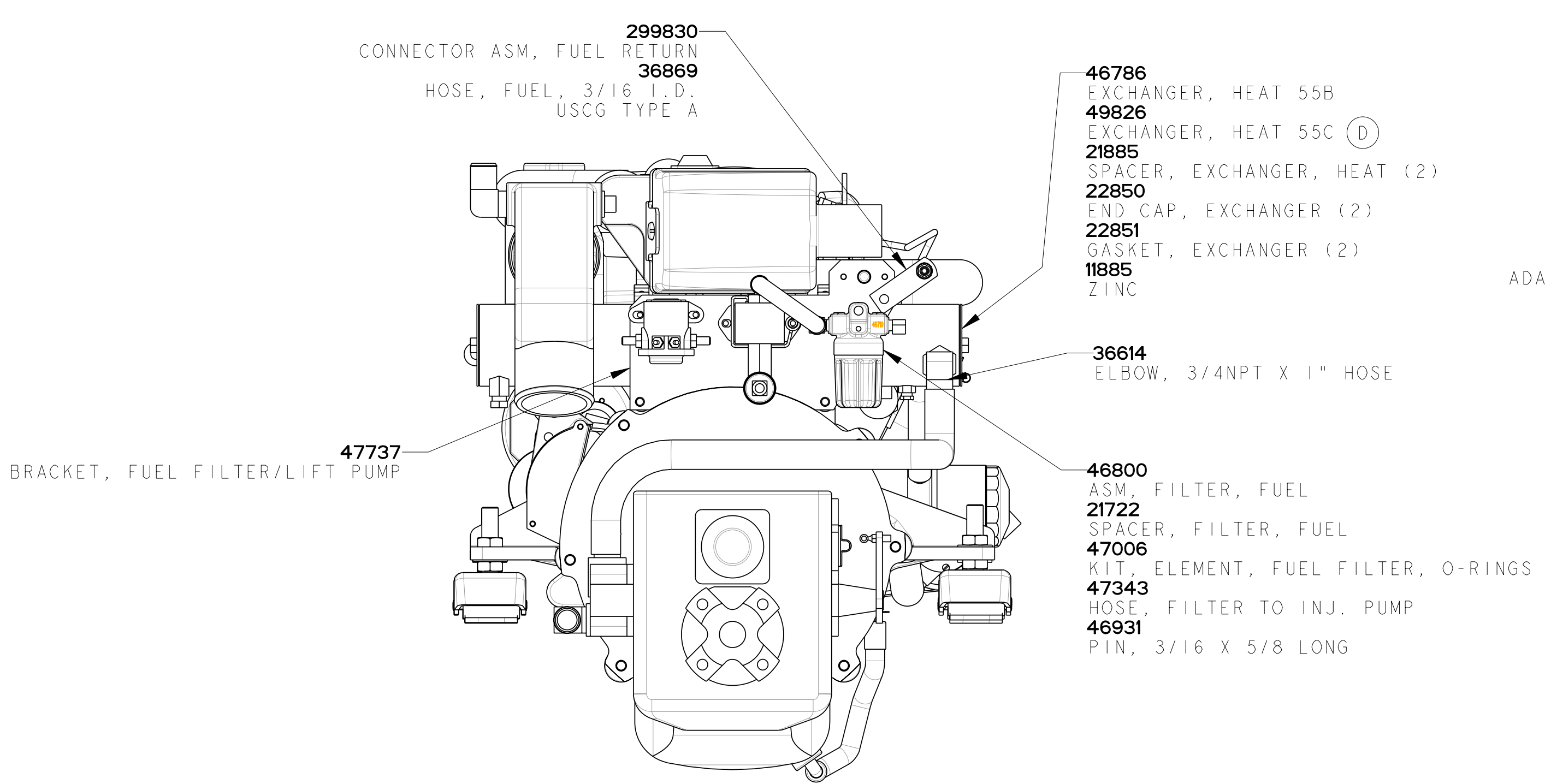
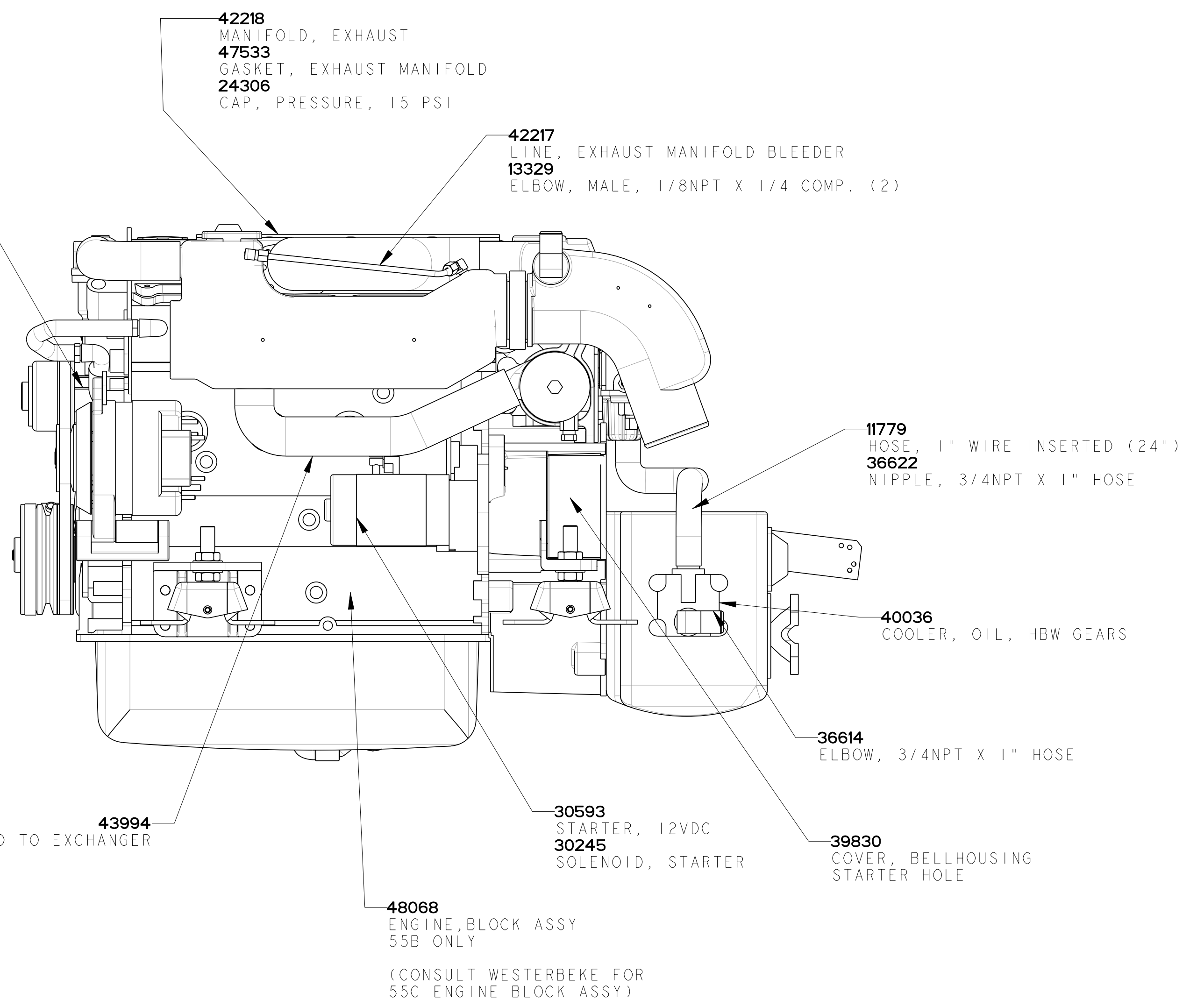
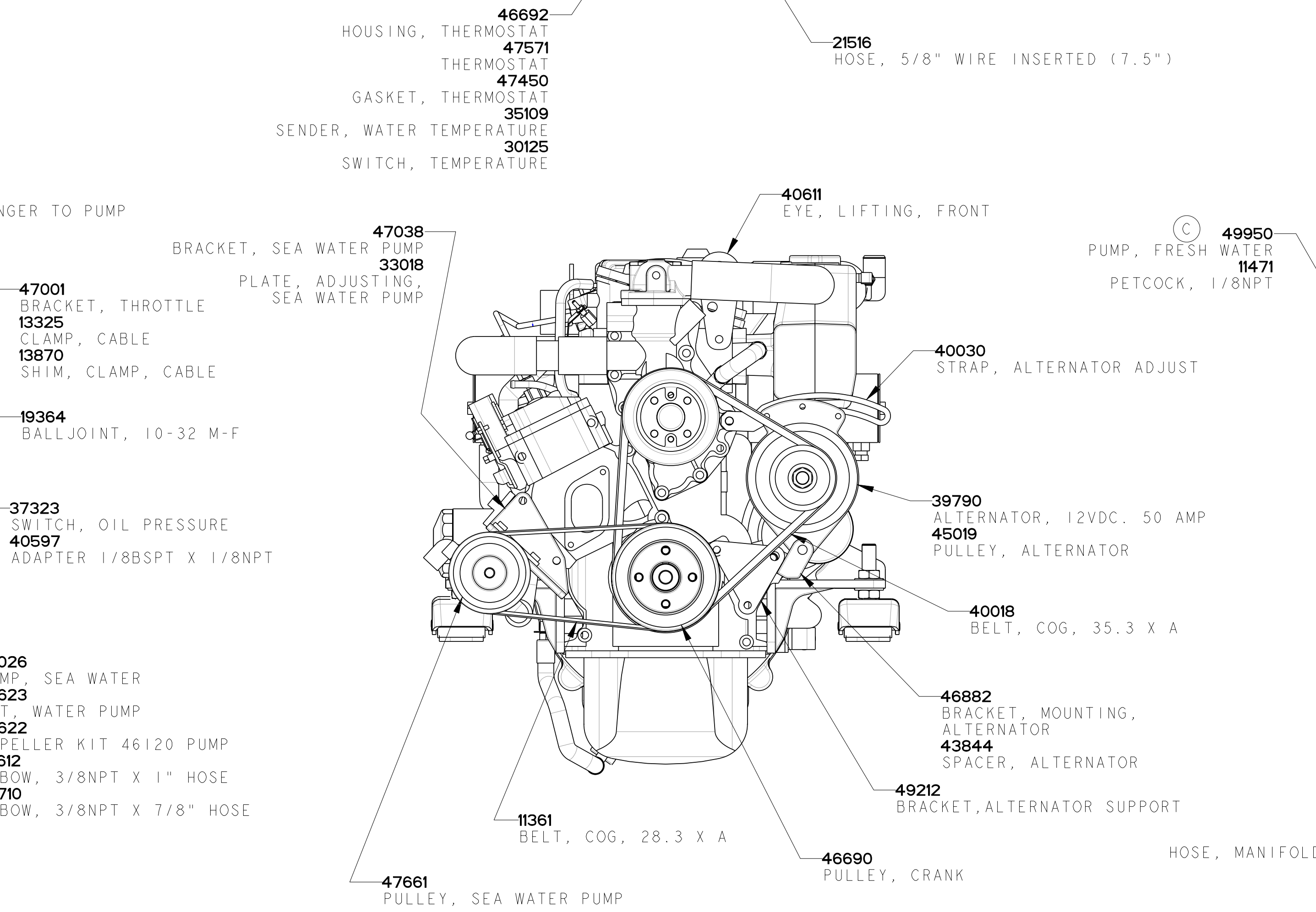
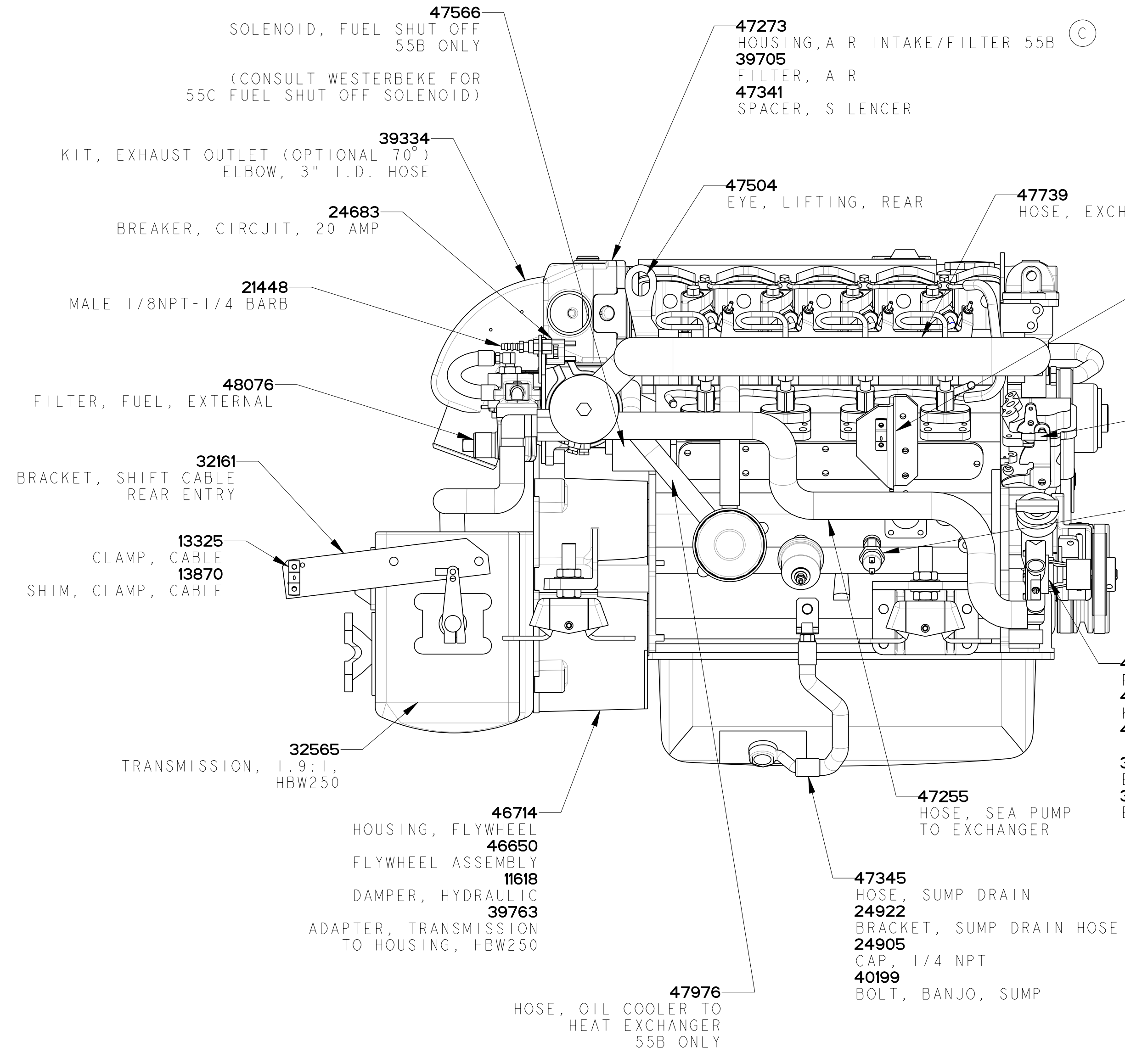
ECO NO.	DATE	REV.	REVISION RECORD	AUTH.	DR. BY
5426	12-12-74	A	ADDED PART #48076 TO ASSEMBLY		BM
5659	7-04-74	B	ADDED PART #49212 TO ASSEMBLY		GA
6048	4-1-74	C	FIX INCORRECT P/N		GA
6376	8-16-74	D	ADDED 55C ON TITLE; ADDED 49826 EXCHANGER, HEAT		GA
6825	8-26-74	E	ADD 54346 GLOWPLUG 55C		GA

FAST MOVING PARTS			
PART NO.	DESCRIPTION	PART NO.	DESCRIPTION
39790	ALTERNATOR, 12 VDC, 50 AMP	33764	PREHEAT & START SWITCH
11361	BELT, SEA WATER PUMP	49950	PUMP, FRESH WATER
40018	BELT, STD. ALTERNATOR	42026	PUMP, SEA WATER
24683	CIRCUIT BREAKER	46622	PUMP, IMPELLER KIT
39705	FILTER, AIR	46623	PUMP, REPAIR KIT
36918	FILTER, LUBE OIL	39275	PUMP, FUEL LIFT
48076	FILTER, FUEL, EXTERNAL	32149	REMOTE LUBE OIL FILTER
47006	FILTER, FUEL OIL	47566	SOLENOID, FUEL SHUT OFF (55B ONLY)
47568	GASKET, HEAD (55B ONLY)	24639	SOLENOID, PREHEAT
44038	GASKET SET, UPPER (55B ONLY)	44071	SPARE PARTS KIT A
45552	GASKET SET, COMPLETE (55B ONLY)	44178	SPARE PARTS KIT B (55B ONLY)
47512	GLOWPLUG 55B	30593	STARTER MOTOR
54346	GLOWPLUG 55C		
30760	HARNESS, 15FT. EXT. 8 PIN	30245	STARTER SOLENOID
36557	HARNESS, 15FT. EXT. 4 PIN	1917	TACHOMETER, ADMIRAL PANEL
46786	HEAT EXCHANGER 55B	36590	TACHOMETER, CAPTAIN PANEL
22850	HEAT EXCHANGER END CAP	24977	TANK, COOLANT RECOVERY
22851	HEAT EXCHANGER GASKET	47571	THERMOSTAT
47499	INJECTOR (55B ONLY)	47450	THERMOSTAT MOUNTING GASKET
46206	INJECTION HARDWARE KIT (55B ONLY)	47529	VALVE COVER GASKET
47417	INJECTOR NOZZLE (55B ONLY)	37605	VOLTMETER
47534	INJECTOR RETURN LINE (55B ONLY)	37601	WATER TEMPERATURE METER
40511	ISOLATORS	35109	WATER TEMPERATURE SENDER
37323	OIL PRESSURE SWITCH	30125	WATER TEMPERATURE SWITCH
37603	OIL PRESSURE METER	39334	WATER INJ. EXHAUST ELBOW, 70° ZINC
24132	OIL PRESSURE SENDER	1885	HEAT EXCHANGER 55C
36473	PANEL, CAPTAIN INSTRUMENT	49826	HEAT EXCHANGER 55C
36842	PANEL, ADMIRAL INSTRUMENT		



TUNE-UP SPECIFICATIONS	
FUEL INJECTION TIMING (BTDC)	16°
VALVE CLEARANCE (COLD) MM (IN)	INTAKE 0.4 (0.0157) EXHAUST 0.4 (0.0157)
FIRING ORDER	1 - 3 - 4 - 2
INJECTION PRESSURE KG/CM ² (PSI/MPa)	135 (1920/13.2)

ITEMS NOT SHOWN	
PART NO.	DESCRIPTION
47748	ENGINE HARNESS, 55B/55C



MODEL SHOWN WITH 50 AMP ALTERNATOR

TOLERANCES (UNLESS OTHERWISE NOTED)		WESTERBEKE CORPORATION TAUNTON, MA. 02780	
INCHES	MILLIMETERS	PARTS LIST - 55B/55C WITH HBW250 TRANSMISSION	
XX ± .02	X ± 1.0	DRAWN BY	DATE
XXX ± .005	XX ± .5	BM	09/OCT/02
CAST ± .03	XX ± .13	APPROVED BY	DATE
FINISH ± .01			
DIMENSIONS		SCALE	SIZE
SCALE 0.250		0.250	DRAWING NUMBER
(WHEN APPLICABLE)		SHT. 1 OF 1	47972